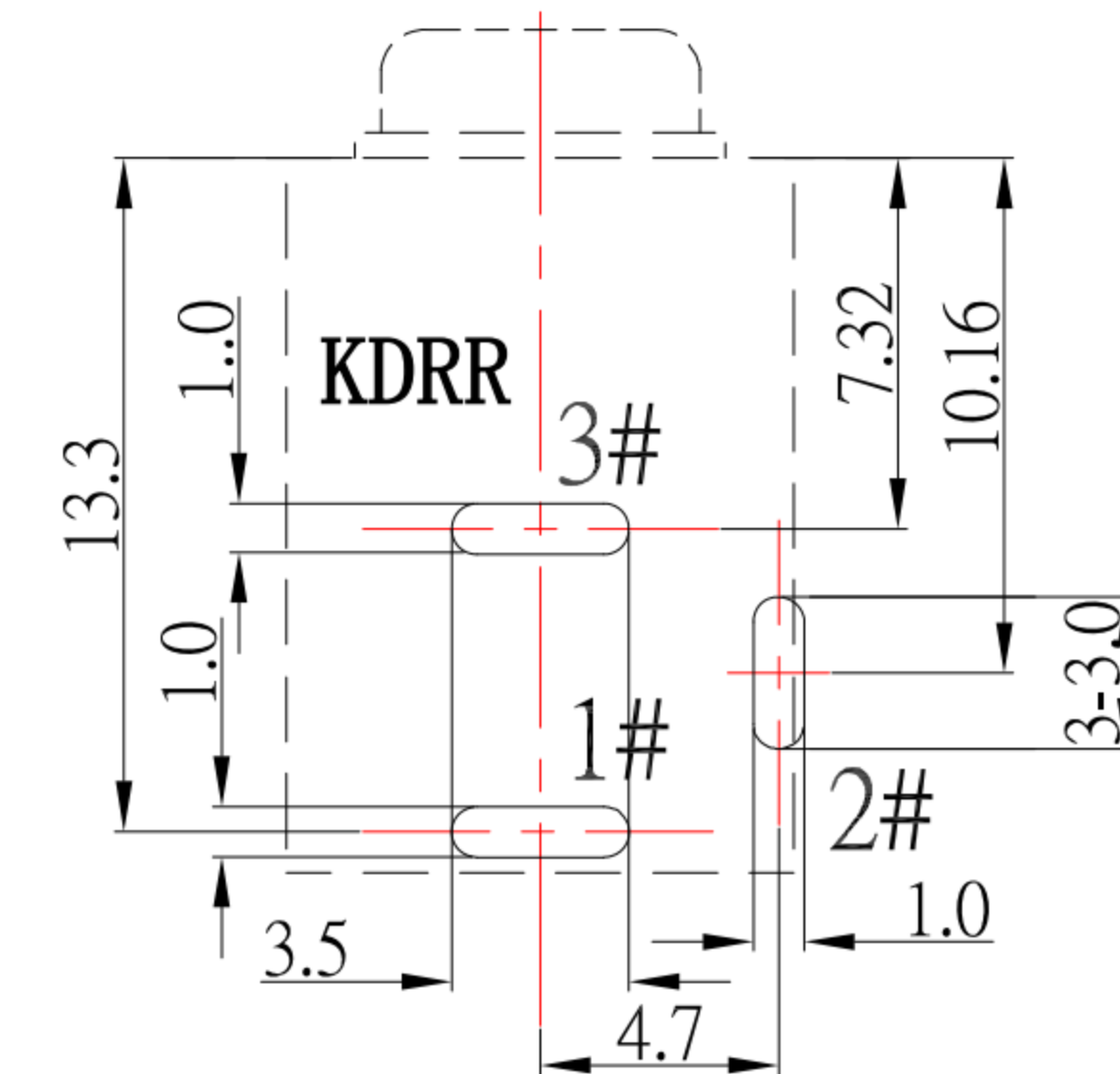


CIRCUIT DIAGRAM



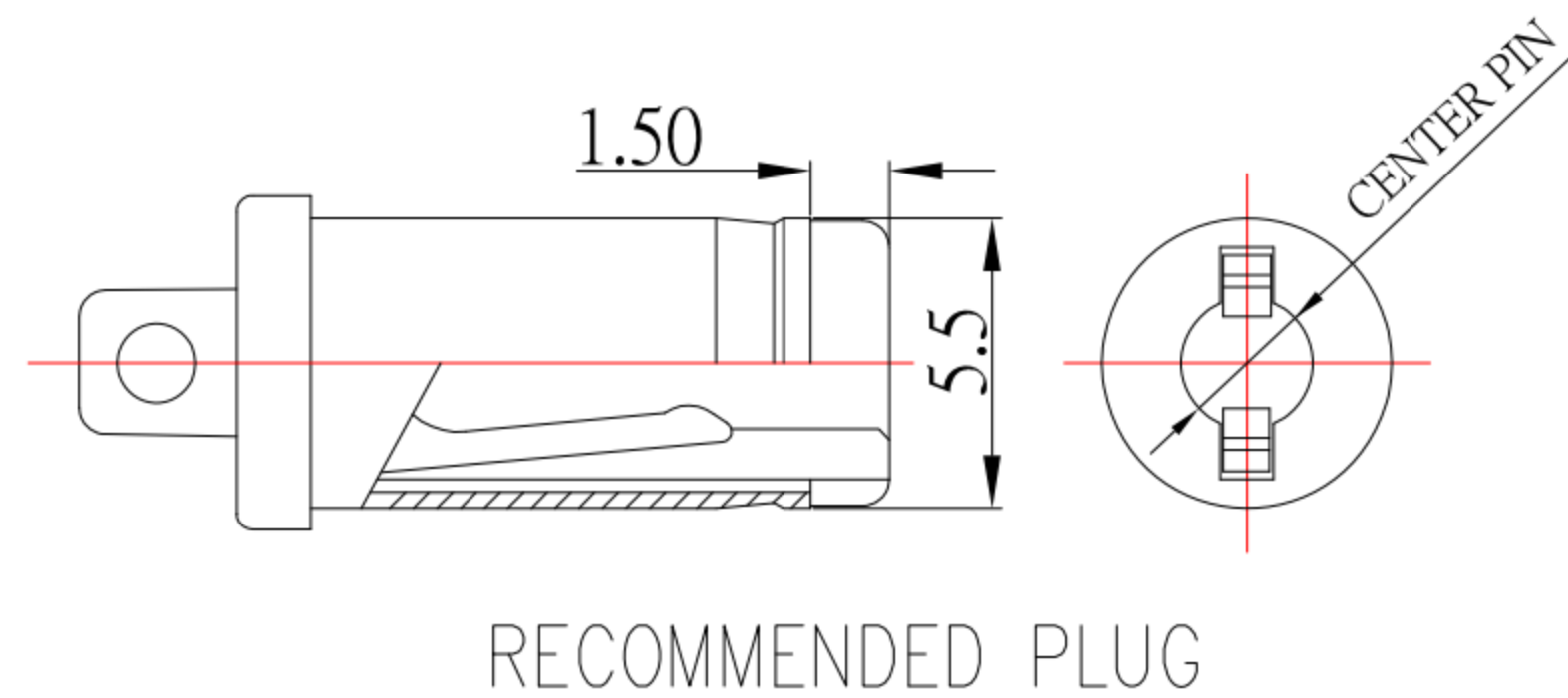
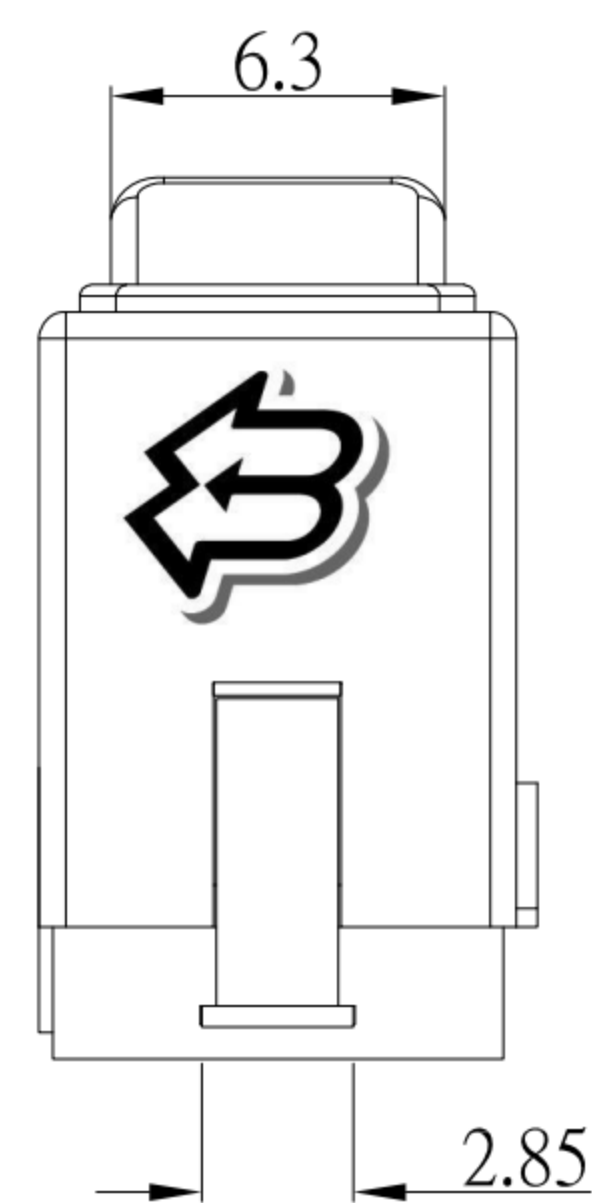
P.C.B LAYOUT

GD-DC-02SW

2.0	CENTER PIN: $\phi$ 2.0mm
2.5	CENTER PIN: $\phi$ 2.5mm

SPECIFICATION

1. Rating : DC 30V, 6.0A ;
2. Contact resistance :  $\leq 50m\Omega$  ;
3. Insulation resistance :  $\geq 100M\Omega$  ;
4. Withstand voltage : 500VAC ;
5. Insertion and extraction force : 3-30N
6. life test : 5,000 cycles °



NO.	PART NAME	QT'Y	MATERIAL	REMARK
8	HOUSING	1	PBT	BLACK
7	COVER	1	PBT	BLACK
6	SWITCH PIN	1	BRASS	Ag PLATED
5	CONTACT PIN	1	BRASS	Ag PLATED
4	CENTER PIN	1	H59	Ni PLATED
3	SPRING	1	PHOSPHOR BRONZE	Ag PLATED
2	SHUNT	1	BRASS	Ag PLATED
1	TERMINAL	1	BRASS	Ag PLATED



东莞市高迪电子有限公司  
Dong Guan KDRR Electronic Switch Jack Co., Ltd.

TOLERANCE UNLESS OTHERWISE STATED :  
Up to 5  $\pm 0.2$   
Above 5 ~ 15  $\pm 0.3$   
Above 15 ~ 30  $\pm 0.4$   
Above 30 ~ 50  $\pm 0.5$   
Angle  $\pm 0.3^\circ$

3RD. ANGEL'S

UNITS MM

DRAWN BY: Ming Ming Zou  
DATE: 6/8/23

CHECKED BY: Ning Ning Su  
DATE: 6/8/23

APPROVED BY: Jia Xiang  
DATE: 6/8/23

MAT'L	TITLE	JACK
FINISH	MODLE	DC JACK
SCALE	DWG NO.	GD-DC-02SW
SHEET NO.	PART NO.	

ITEM NO.	DESCRIPTION	DRAWN	DATE
4	更新材質	Jack	050420
3	更新尺寸	Jack	121119
2	更新尺寸標示位置	Jack	082719
1	更新尺寸	Jack	080519

SIZE A4  
VER R4